

Traveler™ Serving Tables

Mobile - Modular

Models

- 160140 160141 160142
- 160143 160144 160680
- 160681



Model 160681



Model 160141

Shown with Gray Sand laminate top and optional induction stove.



Model 160144

Shown with Red Maple laminate top.



Model 160142

Shown with Black Nebula solid surface top.



Model 160680

Shown with Beige Suede laminate top and optional Eutectic bin.

Specifications

Lakeside Model _____ is of welded and fasted construction. Leg frames are of 11-gauge steel with black powder coat resin finish. Top is 16-gauge stainless steel, reinforced front and back with with stainless steel tubing. Shelf is 18-gauge stainless steel. Casters are all-swivel with 3" diameter wheel and wheel lock.

The Ideal Solution For Flexible Hospitality Service

- Durable construction - black powder coated steel frame with stainless steel top and undershelf
- Attractive front-of-house design eliminates the need for linen coverings
- Easy to clean and sanitize
- Use individually or combine various size tables for the ideal serving configuration
- Easily positioned with 3" swivel casters for flexible serving configurations
- Wide variety of top surfaces of stainless steel, laminate or Corian® resin solid surface available

Optional Accessories

- Eutectic bin **OR** Induction stove
- Food shield
- Overshelf
- Right angle corner connector
 - Stainless steel
 - Laminate

Optional Laminate Top Finishes



Optional Solid Surface Top Finish



Black Pearl

Other Laminate & Solid Surface Finishes Available

Spec. #

AIA #

Lakeside Manufacturing, Inc.

4900 West Electric Avenue • West Milwaukee, WI 53219 U.S.A.

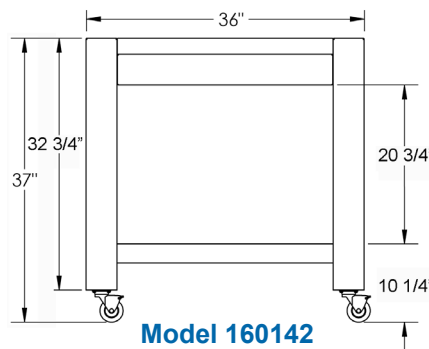
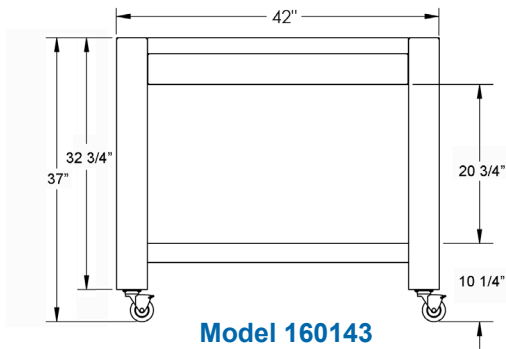
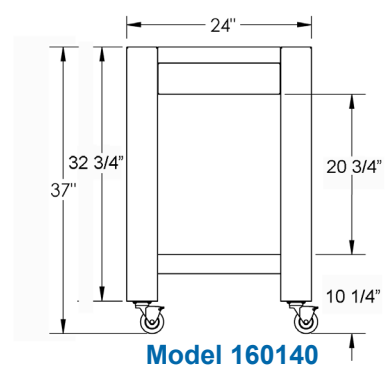
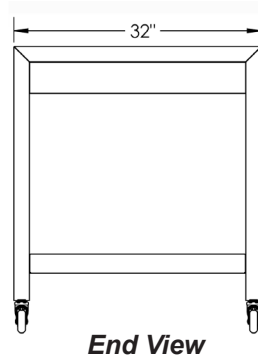
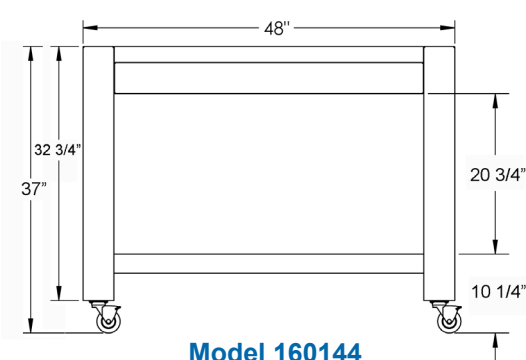
800-558-8565 • 414-902-6400 • Fax 414-902-6446 • info@eLakeside.com • www.eLakesideFoodservice.com

Traveler™ Serving Tables

Mobile - Modular

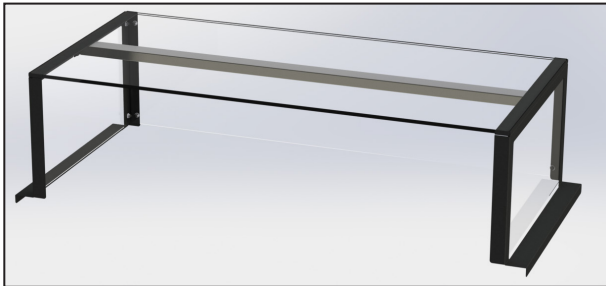
Models

160140, 160141
160142, 160143
160144, 160680
160681

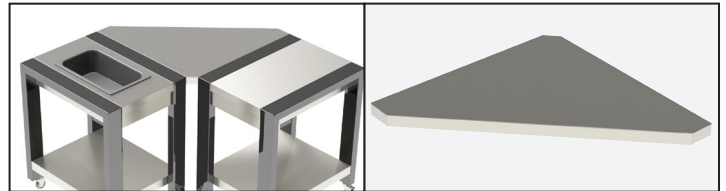


Model Information:

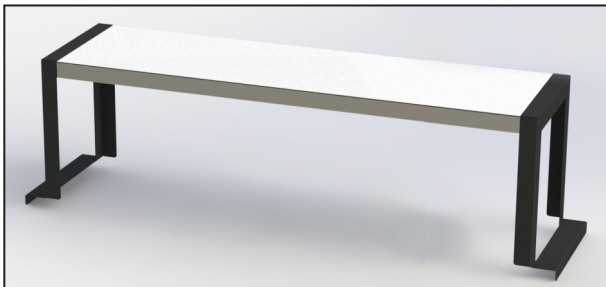
Model	Width	Ship Weight
160140	24"	150 lbs
160141	30"	160 lbs
160142	36"	170 lbs
160143	42"	180 lbs
160144	48"	190 lbs
160680	54"	200 lbs
160681	60"	210 lbs



Optional Food Shield



Optional Corner Connector (Stainless steel shown)



Optional Overshelf

Optional Add-On: Choice of bin OR stove



Eutectic Bin



Induction Stove



Lakeside Manufacturing, Inc.
4900 West Electric Avenue • West Milwaukee, WI 53219 U.S.A.
800-558-8565 • 414-902-6400 • Fax 414-902-6446
info@eLakeside.com • www.eLakesideFoodservice.com

