

Waste & Recycling Stations

Stainless Steel



Model 3415
(Shown in Light Maple finish.)

Attractive Functionality And Durability

Benefits

- Provide waste disposal and recycling in one unit
- Durable welded stainless steel construction is easy to clean

Features

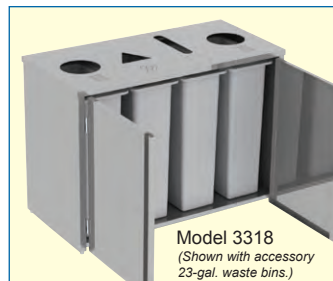
- Various waste/recycle configurations
- Choice of stainless steel or laminate exterior finishes
- Liquid/cup waste models include drainage sink and 7-gallon liquid storage receptacle
- Leveling feet provide easy floor leveling



Model 4310



Model 3330 / 4312



Model 3318
(Shown with accessory
23-gal. waste bins.)



Model 3320 Top



Optional Solid Surface Resin Top

Specifications:

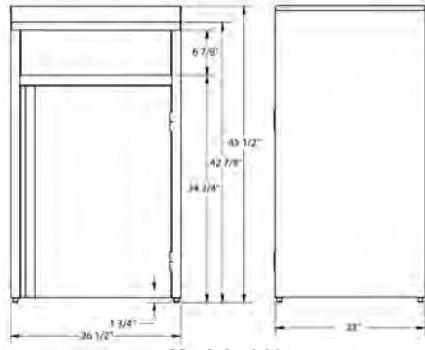
Unit shall be of welded stainless steel construction and shall have 20-gauge sides and 18-gauge top. Interior compartment floor shall be 18-gauge stainless steel. Units shall have specific chute openings to accept waste/refuse, recyclables (plastic bottles/aluminum cans), paper, or liquids. Chute openings shall have symbols indicating function. Liquid/Cup Refuse units shall feature a refuse chute and include a drop-in stainless steel drainage sink and sealed 7-gallon polyethylene liquid receptacle. Front-access models shall have a 4" high raised edge to accommodate tray storage. Units shall have leveling feet to prevent rocking on uneven floors. Hinged compartment door(s) shall have full-length finger grip and magnetic closure latch.

Spec. # _____

AIA # _____

Waste & Recycling Stations

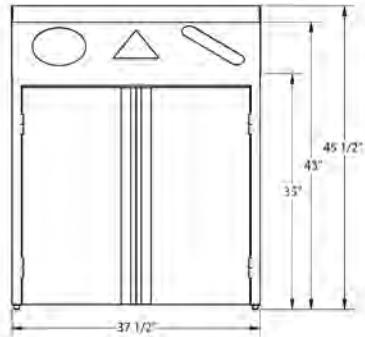
Stainless Steel



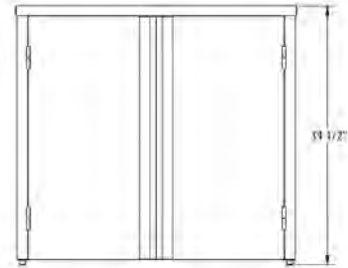
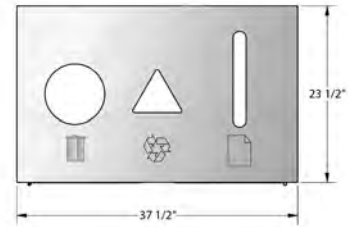
Model 4310



7-Gal. Liquid Receptacle (#3320, #3420)



Model 4315



Model 3315

Product Information:

Model	Overall Size			Description	Exterior Finish	Case Wt. Lbs. (Kg)
	W	D	H			
<i>Top Access Style</i>						
3310	26½" (673)	23¼" (591)	34½" (876)	Refuse	Stainless Steel	61 (27.7)
3312	26½" (673)	23¼" (591)	34½" (876)	Refuse/Recycle	Stainless Steel	61 (27.7)
3315	37½" (953)	23¼" (591)	34½" (876)	Refuse/Recycle/Paper	Stainless Steel	84 (38.1)
3318	48½" (1232)	23¼" (591)	34½" (876)	Refuse (2)/Recycle/Paper	Stainless Steel	104 (46.3)
3320	26½" (673)	23¼" (591)	34½" (876)	Liquid/Cup Refuse	Stainless Steel	61 (27.7)
3410	26½" (673)	23¼" (591)	34½" (876)	Refuse	Laminate	65 (29.5)
3412	26½" (673)	23¼" (591)	34½" (876)	Refuse/Recycle	Laminate	65 (29.5)
3415	37½" (953)	23¼" (591)	34½" (876)	Refuse/Recycle/Paper	Laminate	88 (39.9)
3418	48½" (1232)	23¼" (591)	34½" (876)	Refuse (2)/Recycle/Paper	Laminate	106 (48.1)
3420	26½" (673)	23¼" (591)	34½" (876)	Liquid/Cup Refuse	Laminate	65 (29.5)
<i>Front Access Style</i>						
4310	26½" (673)	23¼" (591)	45½" (1156)	Refuse	Stainless Steel	75 (34)
4312	26½" (673)	23¼" (591)	45½" (1156)	Refuse/Recycle	Stainless Steel	75 (34)
4315	37½" (953)	23¼" (591)	45½" (1156)	Refuse/Recycle/Paper	Stainless Steel	91 (41.3)
4410	26½" (673)	23¼" (591)	45½" (1156)	Refuse	Laminate	80 (36.3)
4412	26½" (673)	23¼" (591)	45½" (1156)	Refuse/Recycle	Laminate	80 (36.3)
4415	37½" (953)	23¼" (591)	45½" (1156)	Refuse/Recycle/Paper	Laminate	95 (43.1)

Dimensions in () denote metric millimeters, unless otherwise noted.

Available Laminate Finishes



Walnut Gray Sand Light Maple Victorian Cherry



Beige Suede Hard Rock Maple Red Maple Red Green Black Royal Blue Purple

Options:

- 4" swivel casters
- Solid surface resin top
- 4" high industrial legs

Accessories:

- 23-gal. poly waste bin (20" x 11" x 30") _____
- 35-gal. poly waste bin (20" x 20" x 27") _____



Lakeside Manufacturing, Inc.

4900 West Electric Avenue • West Milwaukee, WI 53219 U.S.A.

800-558-8565 • 414-902-6400 • Fax 414-902-6446 • www.eLakeside.com

Spec. #

AIA #