

# Easy-Pull™ Heavy-Duty Utility Carts

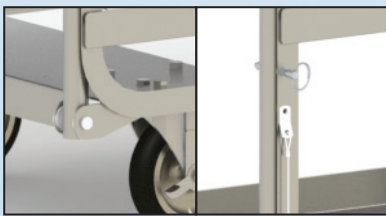
## Stainless Steel - Push/Pull

Easy-Pull heavy-duty carts provide the flexibility of pushing and *safely* pulling actions when hauling heavy loads. The unique swing-out handle locks up for conventional pushing action or swings open for safe and easy pulling action. The swing-out pulling handle position even allows for safe two-person operation. Available in open frame and enclosed versions.



### DESIGN FEATURES

- Swing-out handle provides safe push or pull movement action
- Stainless steel welded U-frame construction is easy to clean and sanitize
- Durable 700 lb. carrying capacity
- Spring pins secure handle in place for pushing action
- Handle height designed for best ergonomic leverage
- Non-marking 5" casters, 2 ea. fixed and 2 ea. swivel with brake



Hinged handle locks securely in upright position.



Swing-out Handle For Safe Pulling Action

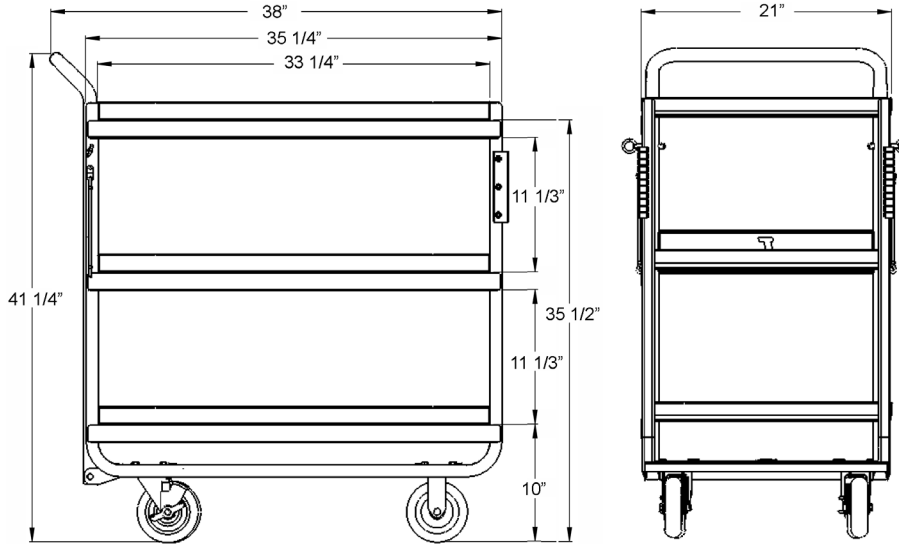


# Easy-Pull™

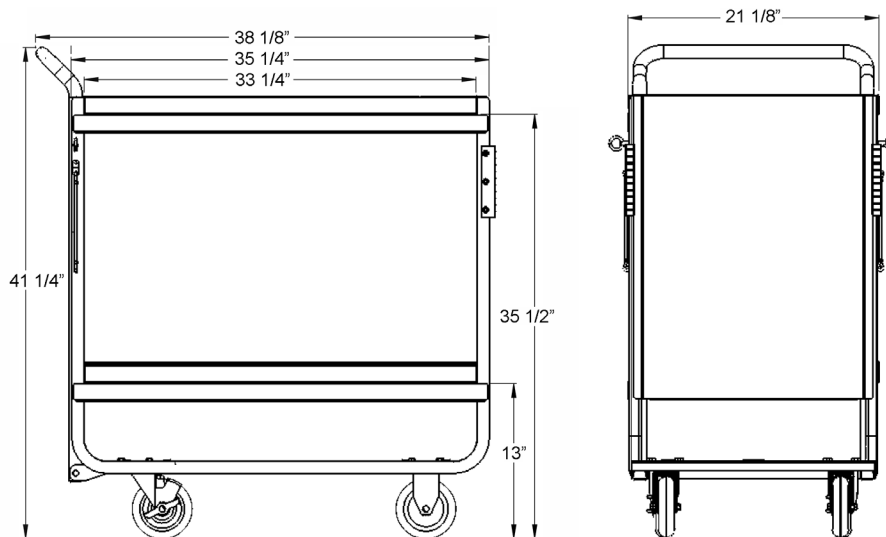
## Heavy-Duty Utility Carts

### Model Information

| Model  | Description | No. of Shelves | Ship Wt. |
|--------|-------------|----------------|----------|
| 163421 | Open        | 3 Ea.          | 125 lb.  |
| 163427 | Enclosed    | 2 Ea.          | 135 lb.  |



**Model 163421**



**Model 163427**



4900 West Electric Avenue • West Milwaukee, WI 53219 U.S.A.

800-558-8565 • 414-902-6400 • Fax 414-902-6446 • info@eLakeside.com • www.eLakesidefoodservice.com

Made In



USA