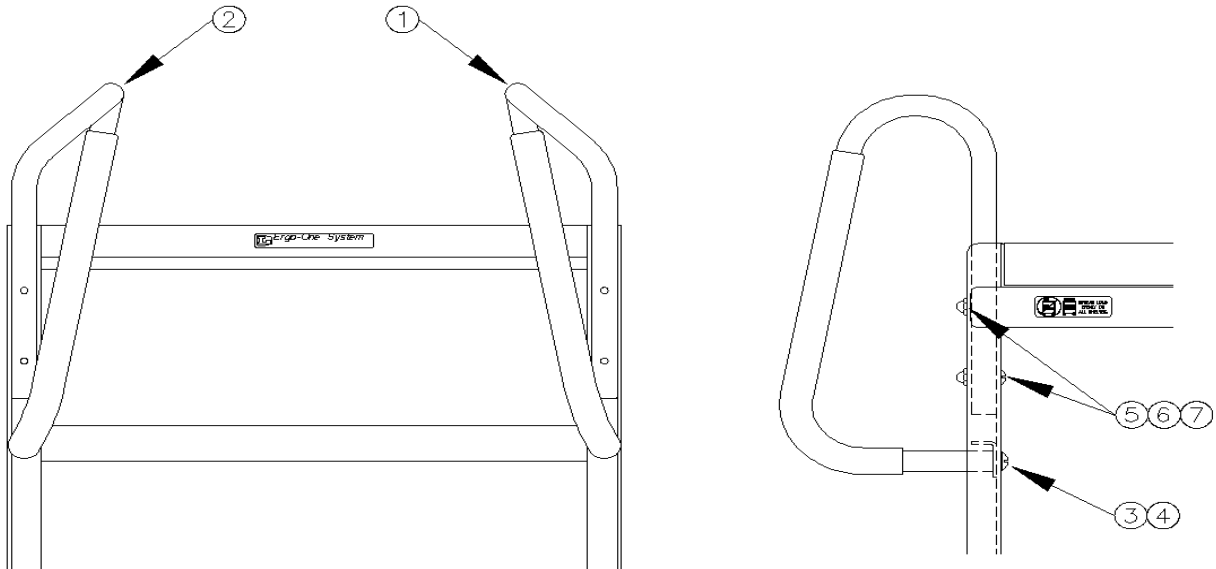




Ergo-One® HANDLE ASSEMBLY INSTRUCTIONS

For use on models:
5910, 5915, 5920, 5925, 5930,
7010, 7015, 7020, 7025, 7030,
7120, 7130, and 7140
(For other models, see reverse side.)



A.) Position the handles to the cart as shown in the illustrations above.
NOTE: The handles must slant inward toward each other as shown.

B.) Install the screws from the inside of the legs toward the outside of cart. Do not tighten the screws until all of them have been aligned and started in the nuts or threaded holes.

C.) Tighten all screws/nuts securely.

Parts Included:

- 1.) Handle - Right Hand, (1) piece.**
- 2.) Handle - Left Hand, (1) piece.**
- 3.) 5/16 x 1" Long Screws, (2) pieces**
- 4.) 5/16 Lock washers, (2) pieces, Internal Teeth**
- 5.) 1/4 x 1-1/4 Long Screws, (4) pieces**
- 6.) 1/4 Lock washers, (4) pieces**
- 7.) 1/4 Cap Nuts, (4) pieces**