

EASY-TOW™

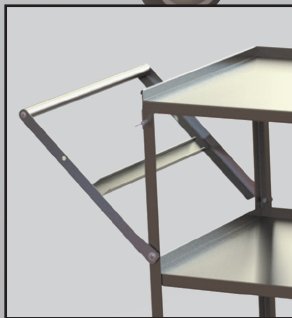
CLASSROOM MEAL DELIVERY SYSTEM

Deliver Classroom Meals Quickly And Efficiently

The *Easy-Tow* System is the perfect solution to the challenge of distributing meals to students in the classroom. Each cart is designed to hold one classroom of meals, with easy contactless drop-off at the door. Carts can be used individually, or connected together with built-in towing hitches for even greater efficiency. Cart shelves are generously spaced to hold meal trays, milk crates, bus tubs, meal sacks, and more. The unique swing-out handle allows for safely pushing a single cart or pulling one or more connected carts.



Model 158859



Swing-out
Push / Pull Handle



Built-in hitch system allows carts to be connected for high-volume transport.

L LAKESIDE®
Ingenuity On Wheels™

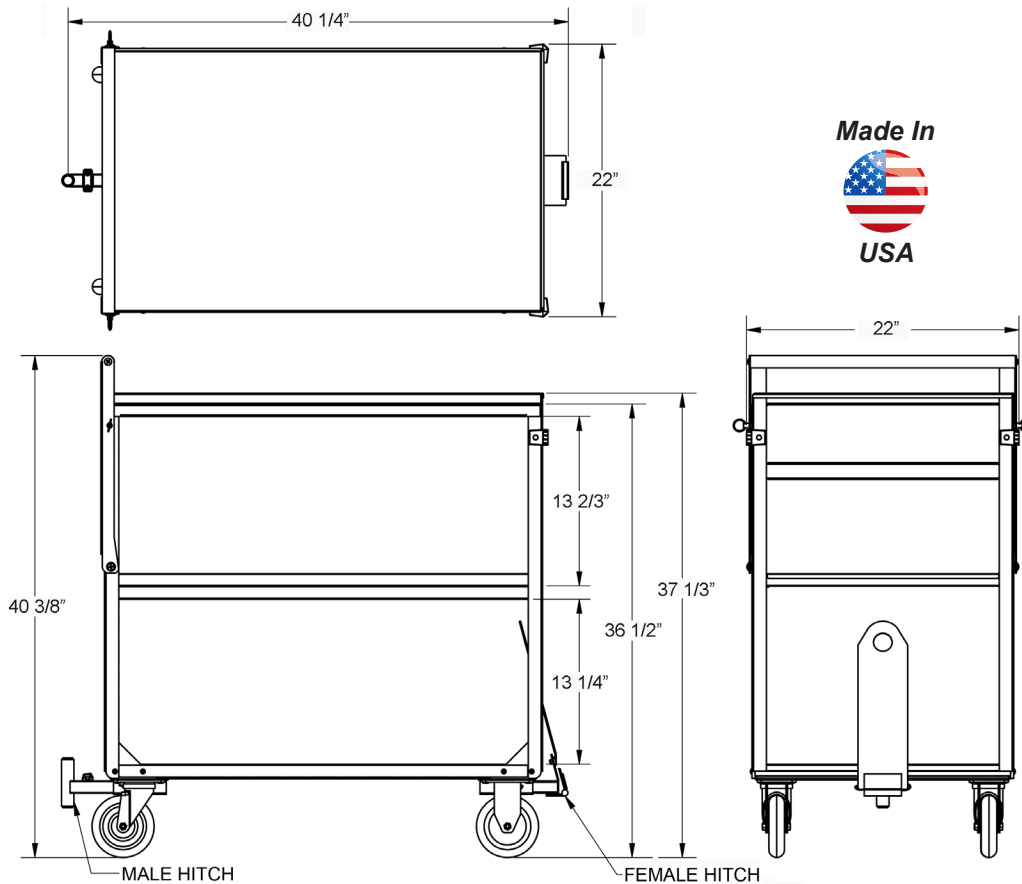
Over for additional information.

EASY-TOW™

CLASSROOM MEAL DELIVERY SYSTEM

DESIGN FEATURES

- All-welded stainless steel heavy-duty construction with 500 lb. load capacity
- Built-in towing system with fixed male hitch and hinged female hitch
- Swing-out handle allows for pushing or pulling
- Large 21" x 35" shelves will hold two 12" x 20" bus tubs
- Top and middle shelves have 1" lip on three sides
- Bottom corner gussets welded in place for extra structural strength
- Heavy-duty 5" casters, 2 each swivel and 2 each rigid, with non-marking cushion tread wheels
- Shipped fully assembled



4900 West Electric Avenue • West Milwaukee, WI 53219 U.S.A.
800-558-8565 • 414-902-6400 • Fax 414-902-6446 • info@eLakeside.com • www.eLakesideFoodservice.com